

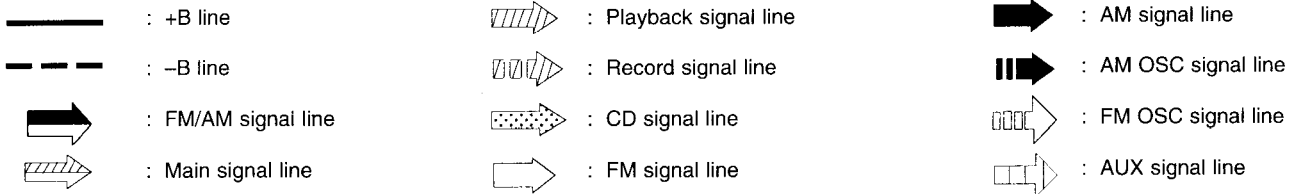
< for Deck circuit, Mechanism (Deck 1) circuit and Mechanism (Deck 2) circuit > (Page 37)

- S951 : Deck 1 Mode detect switch.
- S952 : Deck 1 Tape detect switch.
- S953 : Deck 1 CrO₂ detect switch.
- S971 : Deck 2 Mode detect switch.
- S972 : Deck 2 Tape detect switch.
- S973 : Deck 2 CrO₂ detect switch.
- S974 : Deck 2 Record detect switch.
- S975 : Deck 2 Record detect switch.

< for Loading Motor circuit, Detecting Switch (1) Circuit and Detecting Switch (2) Circuit > (Page 33)

- S1, S4 : Leaf switch.
- S2, S3, S5 : Mecha switch.

•Signal line




•The voltage value and waveforms are the reference voltage of this unit measured by DC electronic voltmeter (high impedance) and oscilloscope on the basis of chassis.

Accordingly, there may arise some error in voltage values and waveforms depending upon the internal impedance of the tester or the measuring unit.

No mark : Playback << >>Rec [] AUX (()) CD < > FM () AM

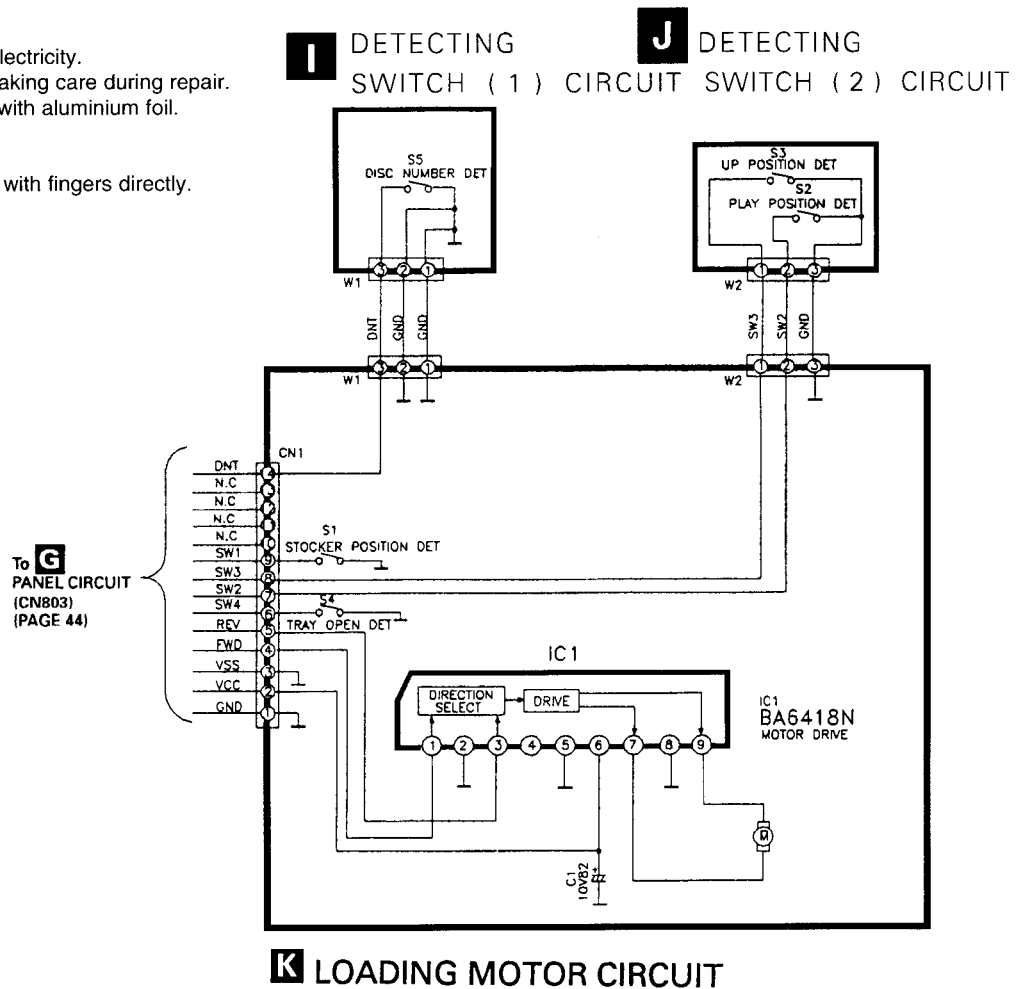
•Importance safety notice:

Components identified by  mark have special characteristics important for safety. Furthermore, special parts which have purposes of fire-retardant (resistors), high-quality sound (capacitors), low-noise (resistors), etc. are used. When replacing any of components, be sure to use only manufacturer's specified parts shown in the parts list.

Caution !

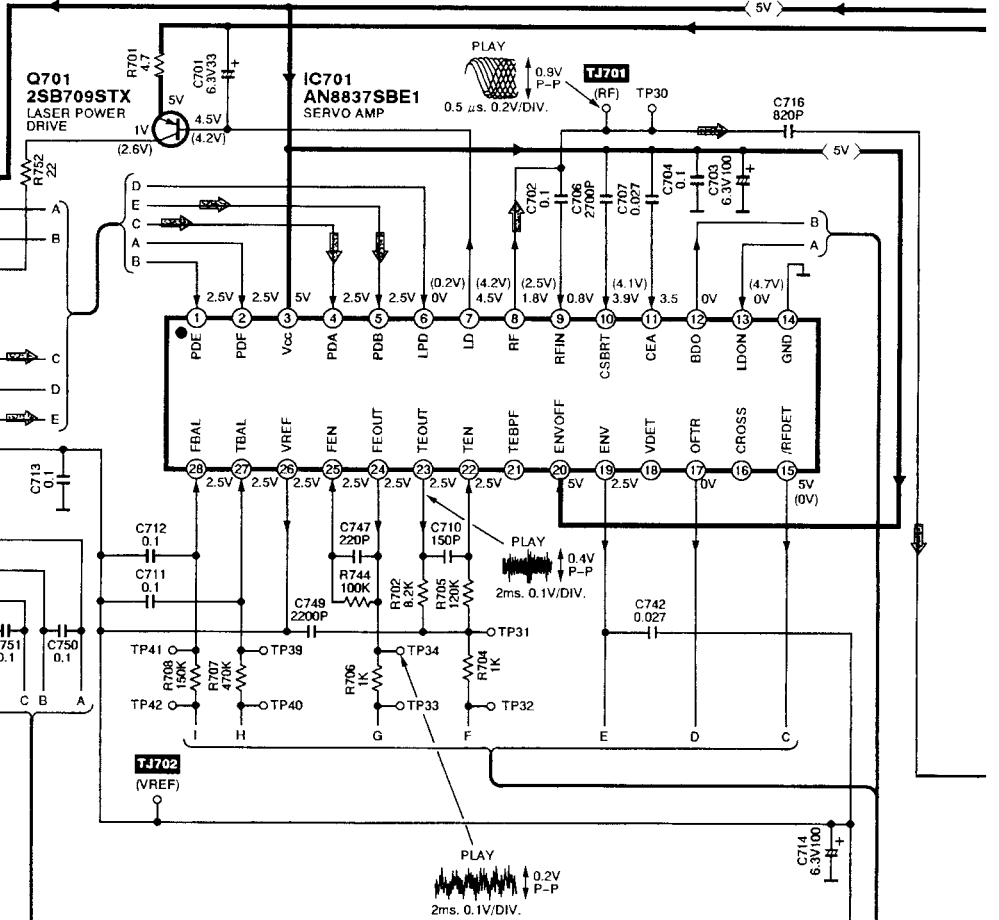
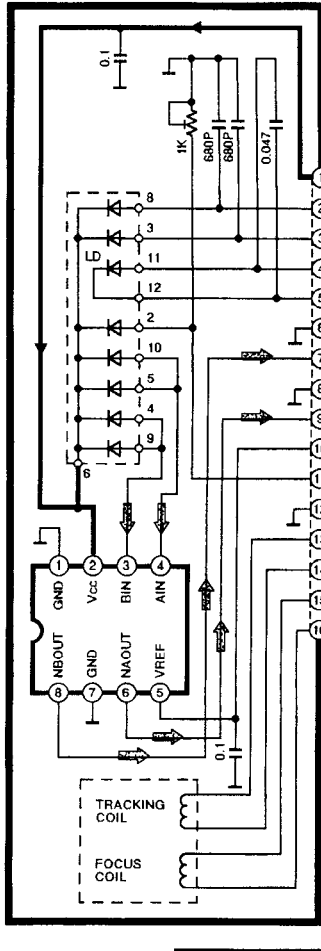
IC, LSI and VLSI are sensitive to static electricity. Secondary trouble can be prevented by taking care during repair.

- Cover the parts boxes made of plastics with aluminium foil.
- Put a conductive mat on the work table.
- Ground the soldering iron.
- Do not touch the pins of IC, LSI or VLSI with fingers directly.



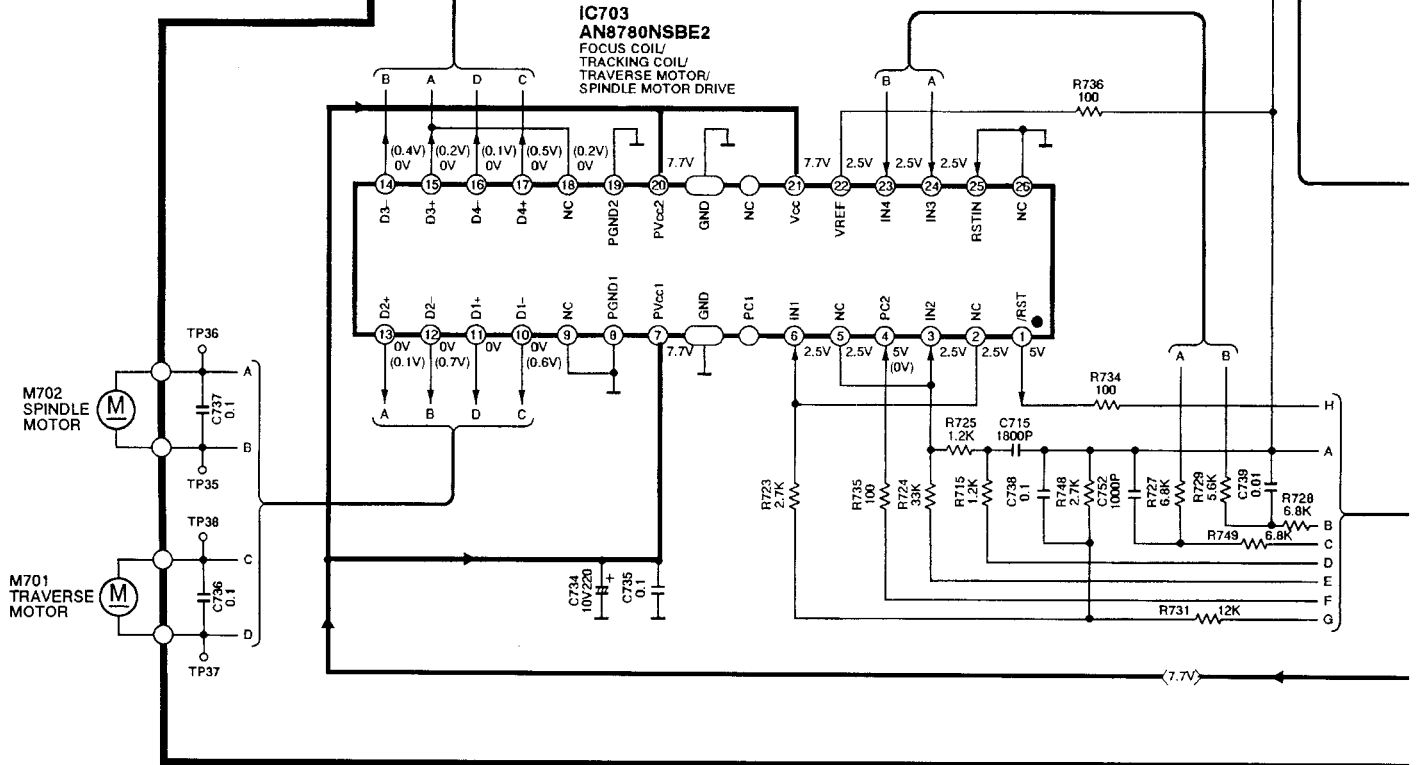
CD SERVO CIRCUIT

OPTICAL PICKUP CIRCUIT

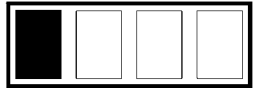
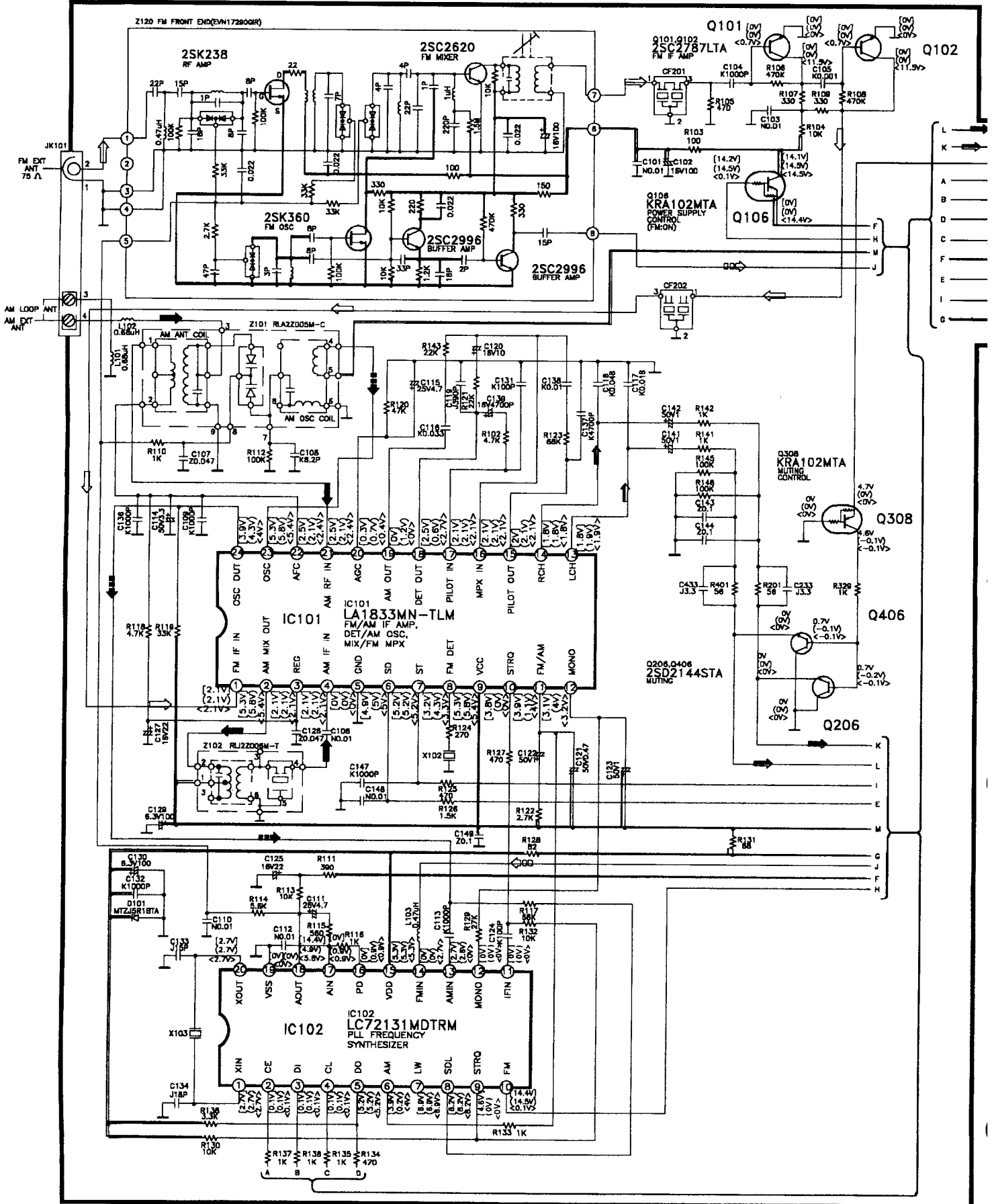


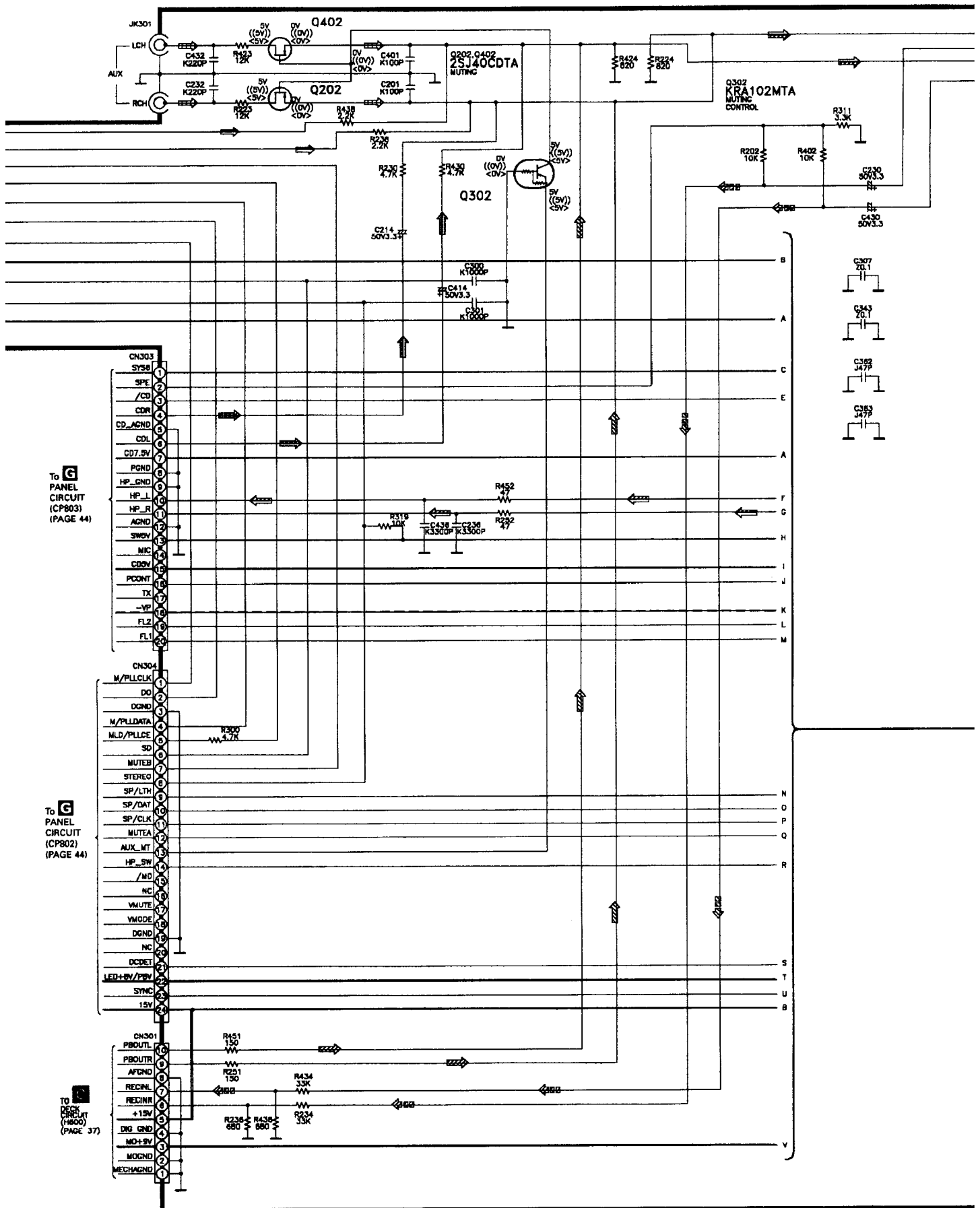
IC703 AN8780NSBE2

FOCUS COIL/
TRACKING COIL/
TRAVERSE MOTOR/
SPINDLE MOTOR DRIVE



B MAIN CIRCUIT



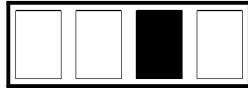
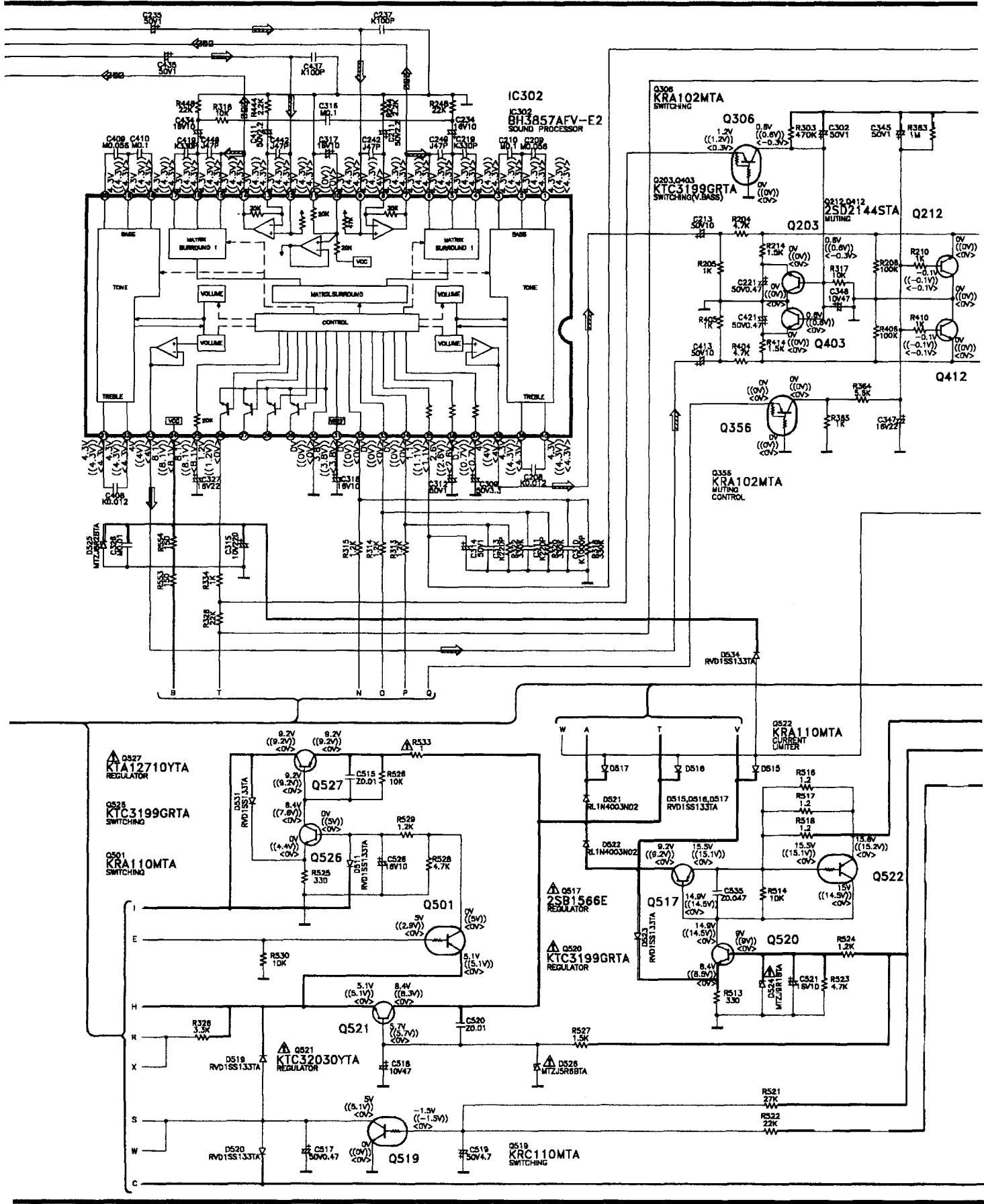


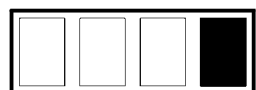
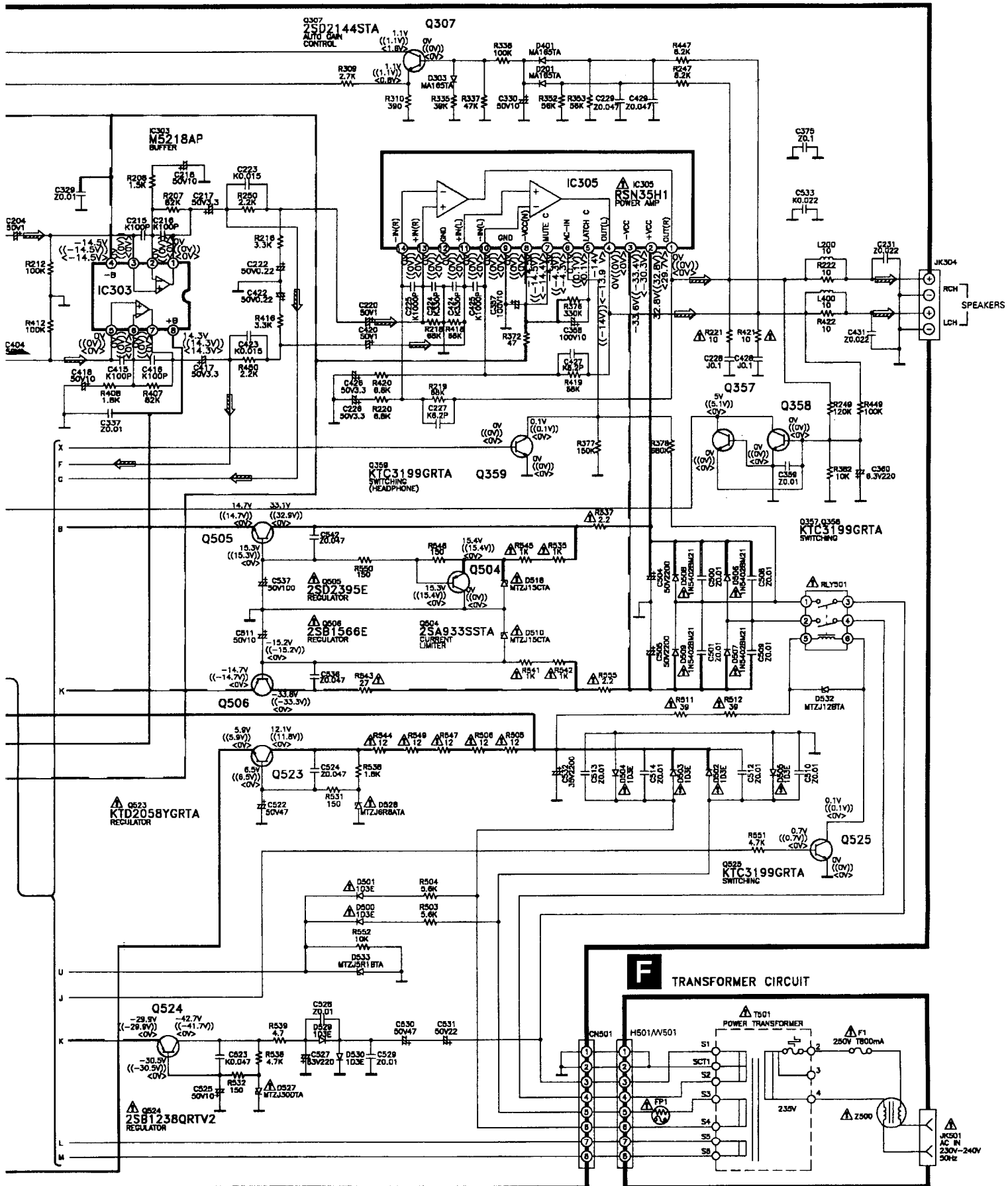
To **G**
 PANEL
 CIRCUIT
 (CP803)
 (PAGE 44)

To **G**
 PANEL
 CIRCUIT
 (CP802)
 (PAGE 44)

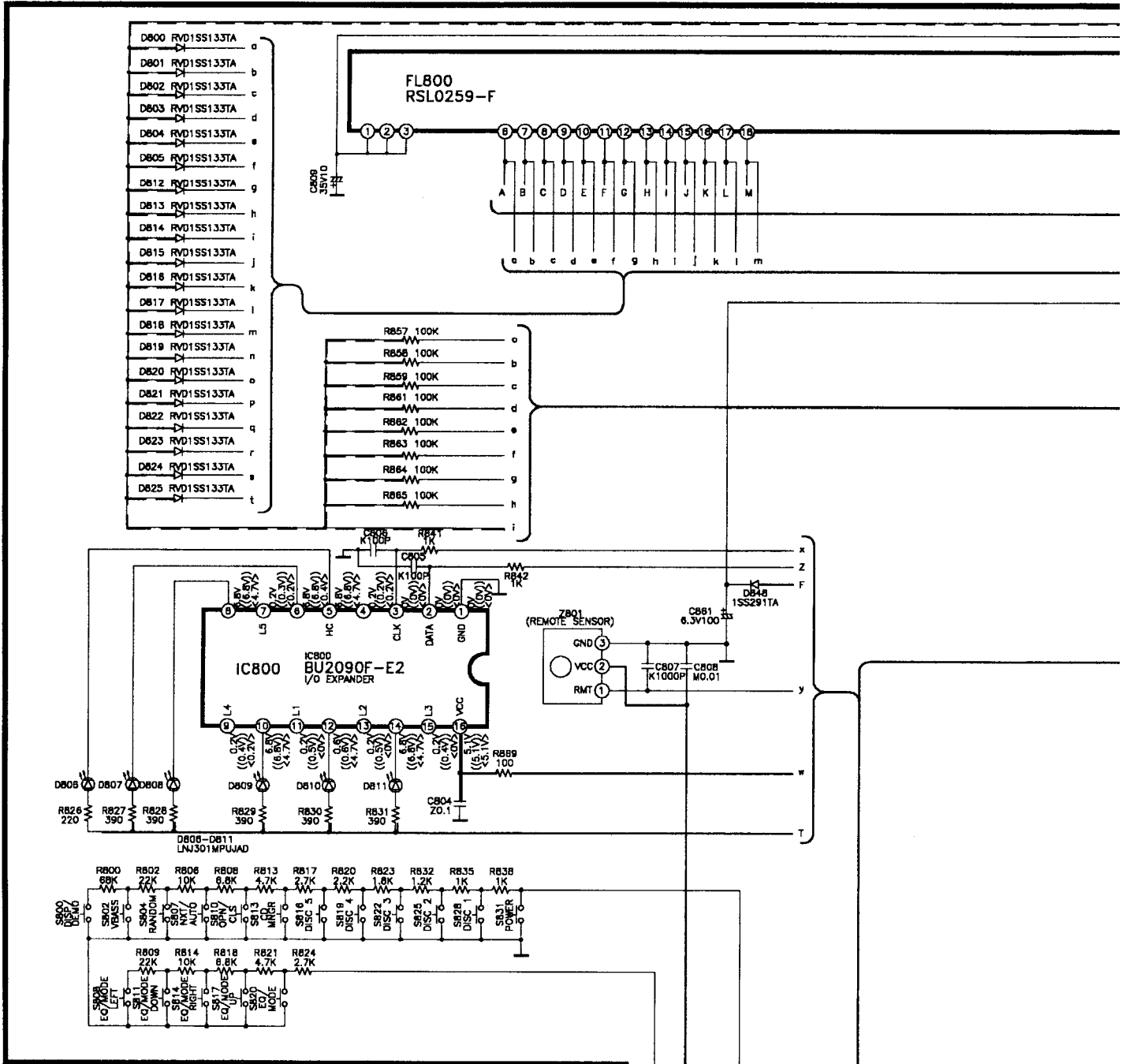
To **G**
 PANEL
 CIRCUIT
 (H800)
 (PAGE 37)



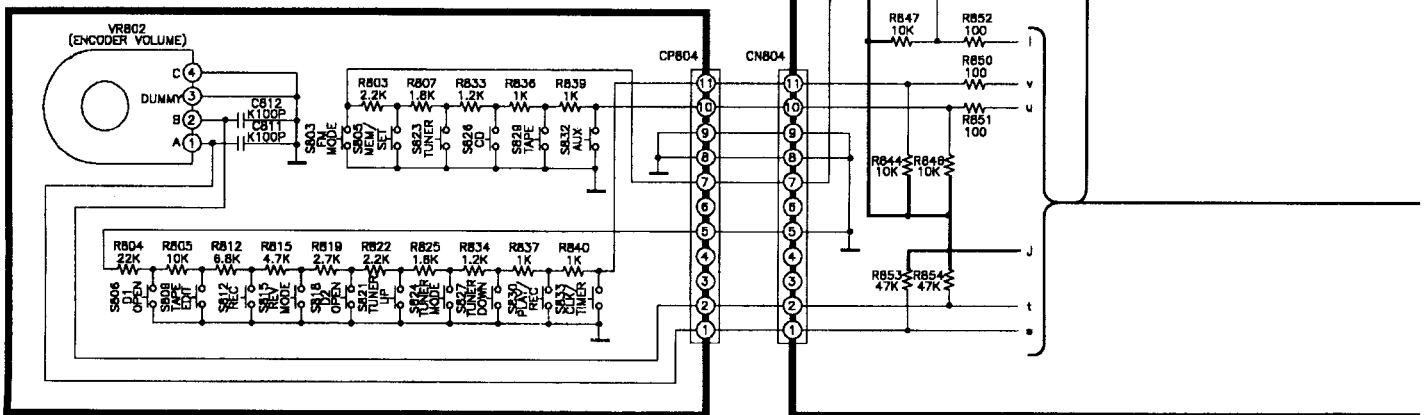


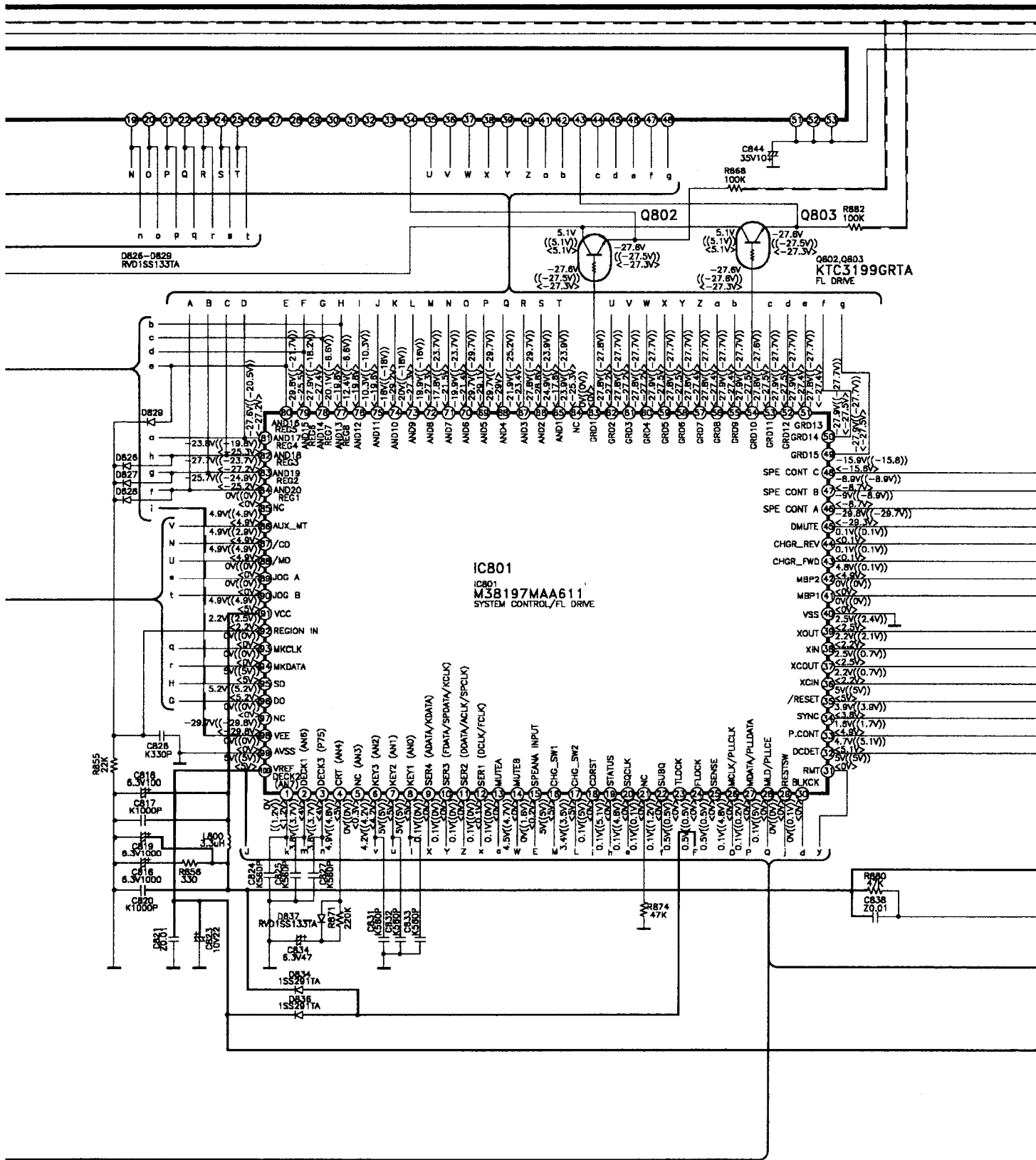


G PANEL CIRCUIT



E OPERATION CIRCUIT





IC801
 M38197MAA611
 SYSTEM CONTROL/FL DRIVE

Q802, Q803
 KTC3199GRTA
 FL DRIVE

D826-D829
 RVD1S133TA

RB80
 47K
 CB36
 Z0.01

